

WeatherTech®
Pet Barrier Extension

Instruction Manual



NOTES

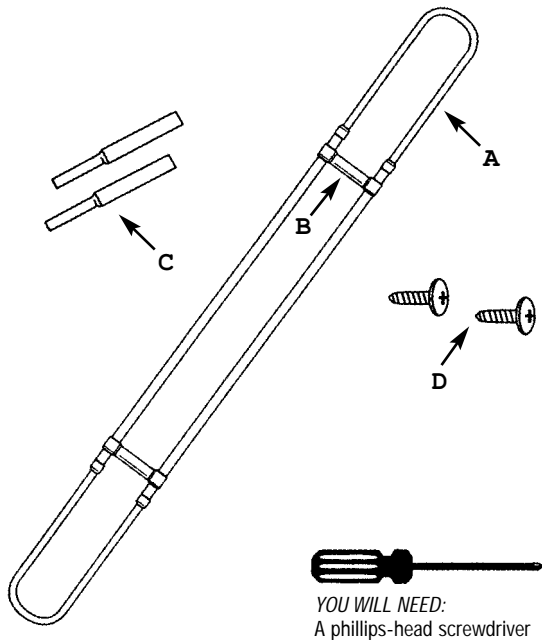
- This product is not to be used as a cargo barrier. Any use of this product for that reason voids warranty and releases manufacturer of any and all liability.
- It is not always necessary to use the included vertical tubes. The additional vertical tubes will add 6 inches to the height of the Pet Barrier.
- Check the Wing Nuts on the Vertical Tubes periodically to adjust for settling.



2435 Wisconsin Street
Downers Grove, IL 60515
630-769-1500 • Fax: 630-769-0300
www.weathertech.com
Patent Requested

Pet Barrier Extension

Parts Included With The
WeatherTech®
Pet Barrier Extension



PARTS LIST

Letter	Description	Quantity
A	Telescoping Hoop Assembly	1
B	Plastic Vertical Brackets	2
C	Vertical Extension Tubes	2
D	Screws	2

BEFORE YOU BEGIN

- Thank you for purchasing the WeatherTech® Pet Barrier Extension. We are confident that this product is the best on the market, and will exceed your needs.
- Please take a moment to familiarize yourself with all of the included parts listed above. If anything is missing, contact your dealer immediately.

OUR GUARANTEE:

This product is guaranteed against defects in manufacturing for one (1) year from the date of original purchase.

